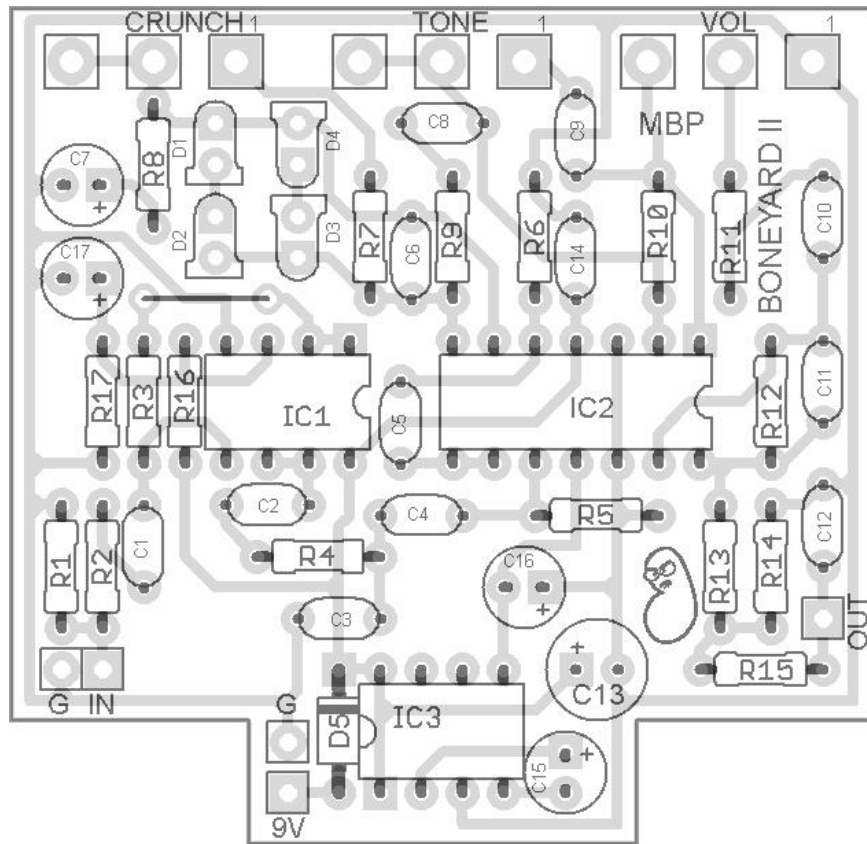


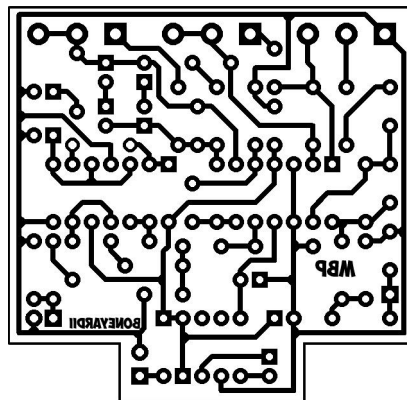
# BONEYARD II

fx type: distortion

© 2013 MADBEANPEDALS



2.12"W x 2.06"H



*Boneyard II project is intended for DIY use only.*

[www.madbeanpedals.com](http://www.madbeanpedals.com)

**BUILD.SHARE.LEARN**

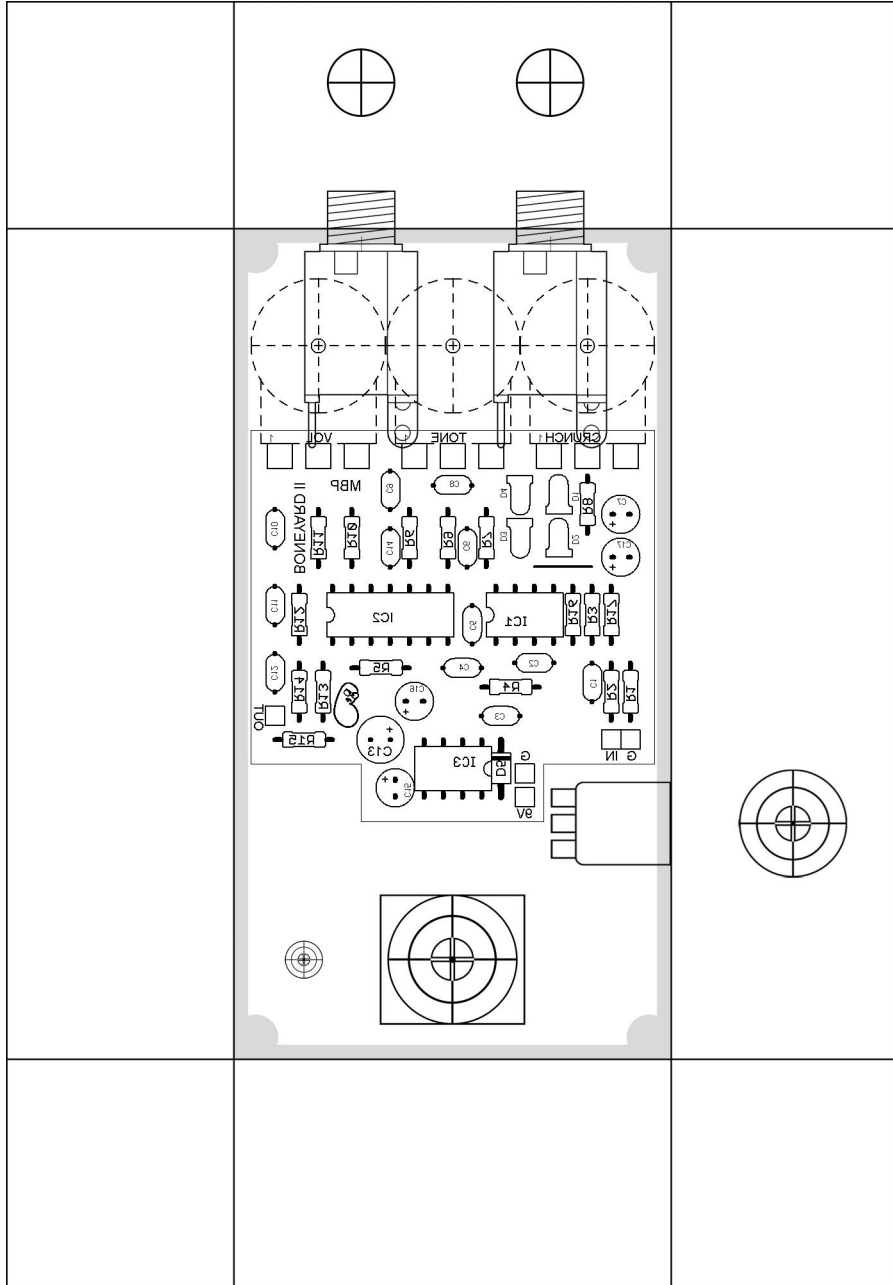
## B.O.M.

Resistors		Caps		Diodes	
R1	1M	C1	100n	D1 - D4	LED
R2	10k	C2	470n	D5	1N5817
R3	1M	C3	330pF	<b>IC's</b>	
R4	1k	C4	220n	IC1	TL072
R5	1M	C5	33n	IC2	LF347
R6	47k	C6	330pF	IC3	TC1044SCPA
R7	2k	C7	2u2	<b>Pots</b>	
R8	47R	C8	470n	CRUNCH	100kA
R9	22k	C9	68n	TONE	5kB
R10	22k	C10	470n	VOL	5kA
R11	47k	C11	220pF		
R12	22k	C12	1n5		
R13	100R	C13	100uF		
R14	1k	C14	100n		
R15	10k	C15	10uF		
R16	10k	C16	10uF		
R17	10k	C17	47uF		

Shopping List			
Component	Qty	Rating	Spacing/Type
100R	1	1/4W	7.5mm
10k	4	1/4W	7.5mm
1k	2	1/4W	7.5mm
1M	3	1/4W	7.5mm
22k	3	1/4W	7.5mm
2k	1	1/4W	7.5mm
47k	2	1/4W	7.5mm
47R	1	1/4W	7.5mm
220pF	1	Ceramic/Mica	5mm
330pF	2	Ceramic/Mica	5mm
100uF	1	Electrolytic	2.5mm
10uF	2	Electrolytic	2.5mm
2u2	1	Electrolytic	2.5mm
47uF	1	Electrolytic	2.5mm
100n	2	Film	5mm
1n5	1	Film	5mm
220n	1	Film	5mm
33n	1	Film	5mm
470n	3	Film	5mm
68n	1	Film	5mm
LED	4	Water Clear	5mm
1N5817	1	1W	7.5mm
TL072	1		
LF347	1		
TC1044SCPA	1		
100kA	1		16mm
5kB	1		16mm
5kA	1		16mm

If you have problems with oscillation at max gain, replace the Crunch pot with 50kA.

**1590B Template**  
4.64"W x 6.69"H



*This (top-down) template is approximate.*

# BONEYARD II

(c) 2013 MADBEANPEDALS

