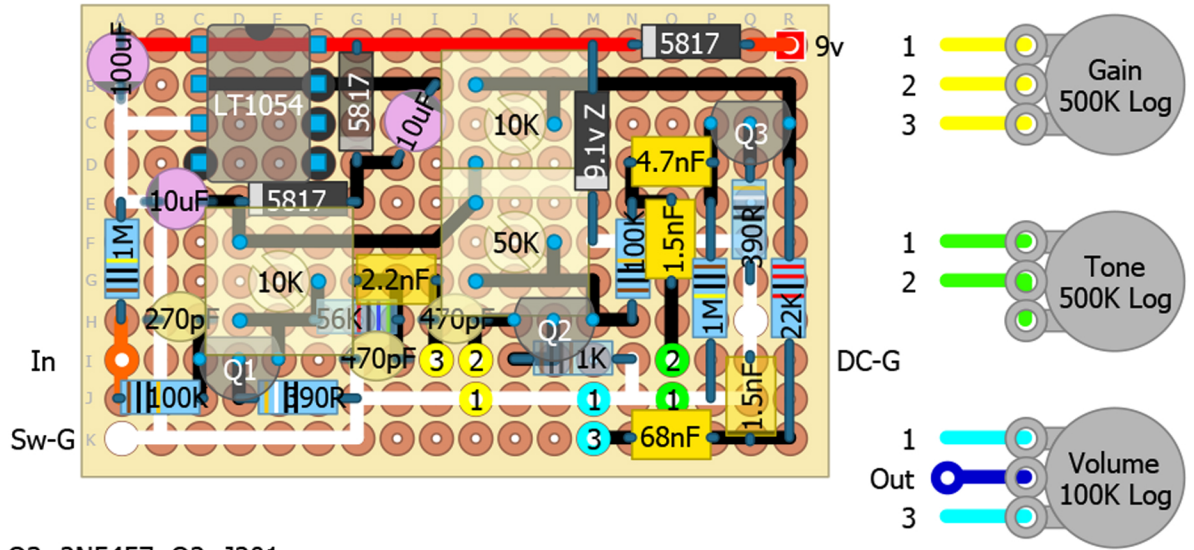


Run Off Groove Supreaux Deux

(1590A and Charge Pump) Layout by Midwayfair



Q1, Q3: 2N5457. Q2: J201.

IC1: TC1044SCPA or LT1044SCPA

Cut pins 4-7 on the charge pump (or its socket) so that leads can be run under it.

If using an LT1044, cut pin 1 and omit the Zener. (The LT is a better choice overall.)

10uF caps must be rated >25v

1.5nF tone cap could be reduced for brighter sounds.

