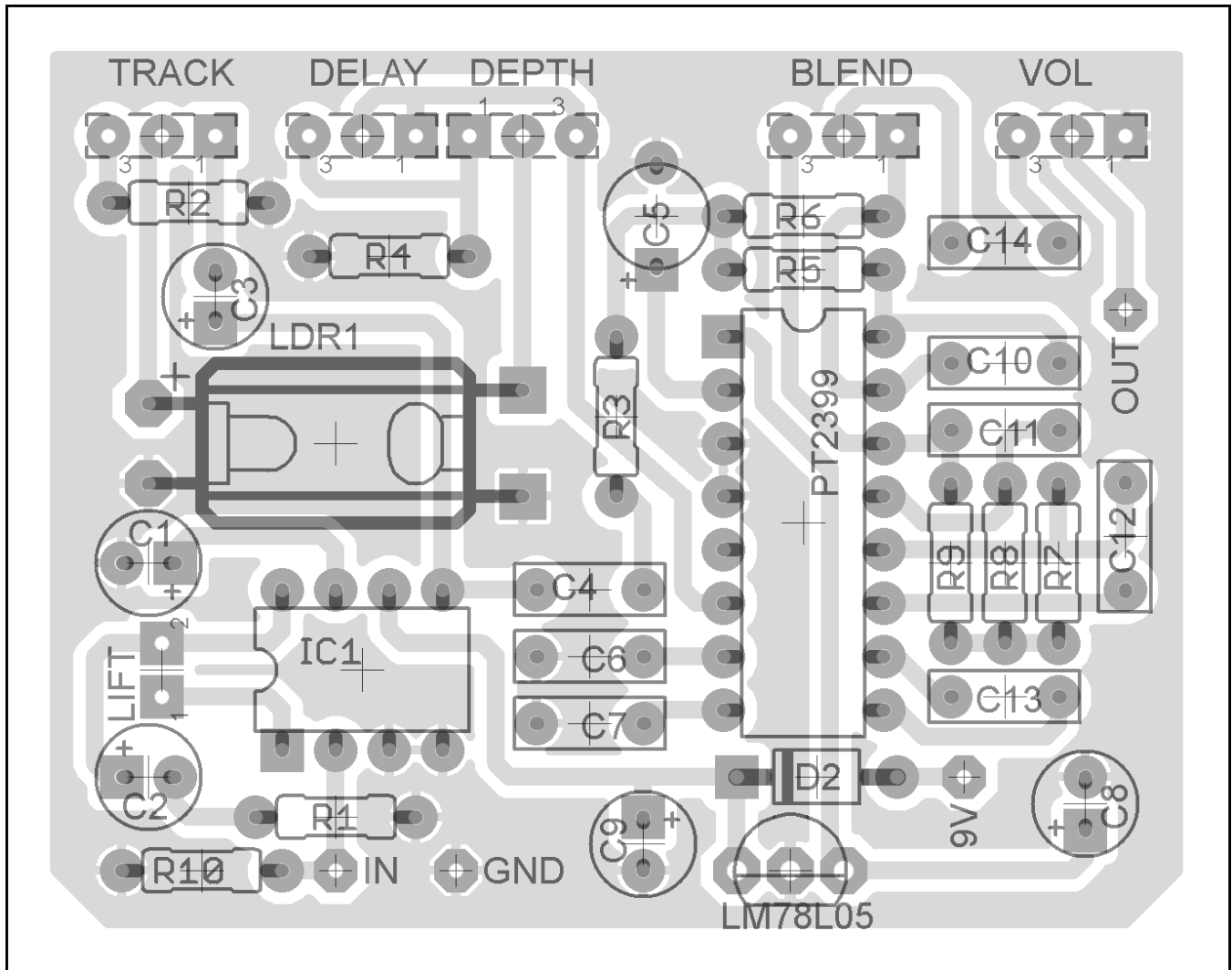


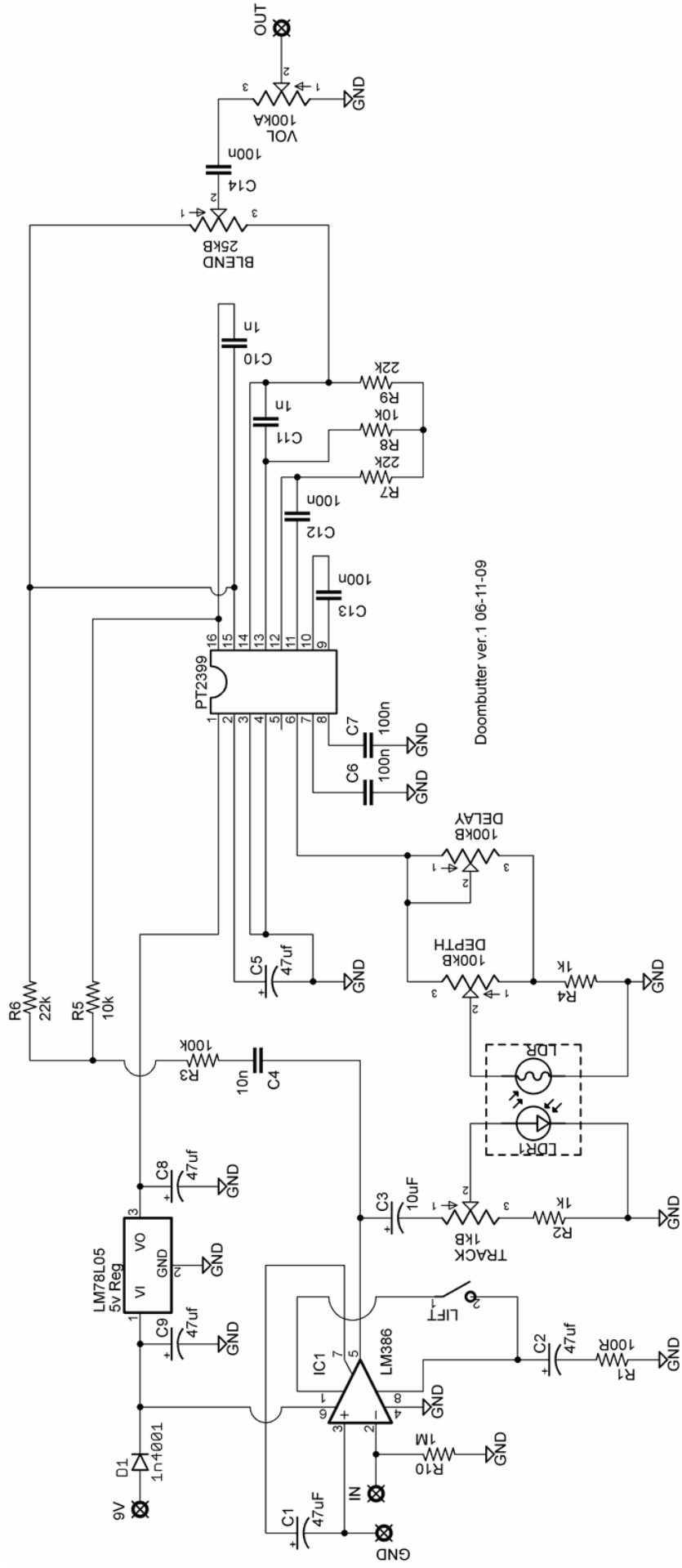
DOOMBUTTER

(Based on the Mid-Fi Electronics *Clari(not)*)

COMPONENTS + LAYOUT

VER.1 06-11-09





Doorbuzzer ver.1 06-11-09

Part	Value
R1	100R
R2	1k
R3	100k
R4	1k
R5	10k
R6	22k
R7	22k
R8	10k
R9	22k
R10	1M
C1	47uF
C2	47uf
C3	10uF
C4	10n
C5	47uf
C6	100n
C7	100n
C8	47uf
C9	47uf
C10	1n
C11	1n
C12	100n
C13	100n
C14	100n
D1	1n4001
LDR1	Vactrol / LED + LDR
LM78L05	5v Reg
IC1	LM386
IC2	PT2399
TRACK	1kB
DELAY	100kB
DEPTH	100kB
VOL	100kA
BLEND	25kB
LIFT	SPST

Notes

- R10 is an optional pull-down. It is not featured in the stock unit.
- The Fuzz Lift mod was originally suggested by Rick Holt (Frequency Central).
- You can use a Vactrol for the LED/LDR, but a super bright white LED and Radio Shack LDR will work just as well and cost \$.50.

