

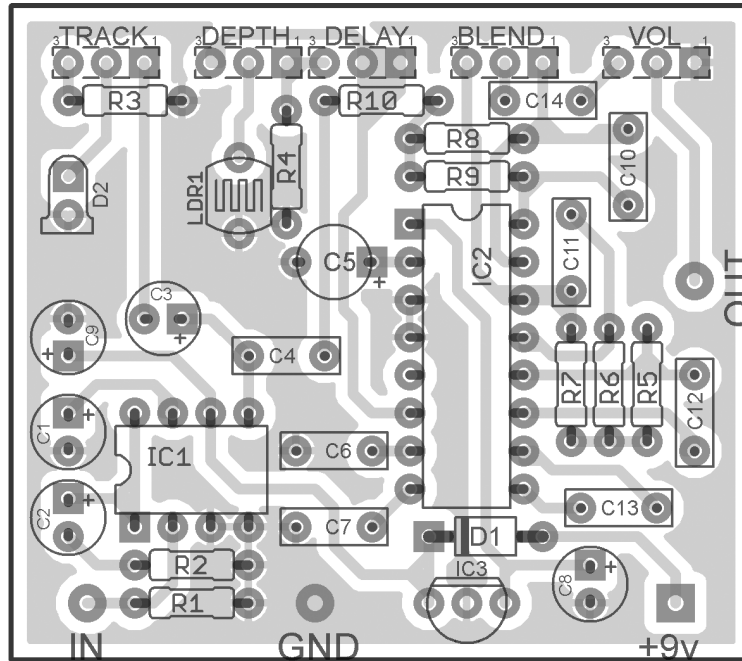
DOOMBUTTER

FX TYPE: ??

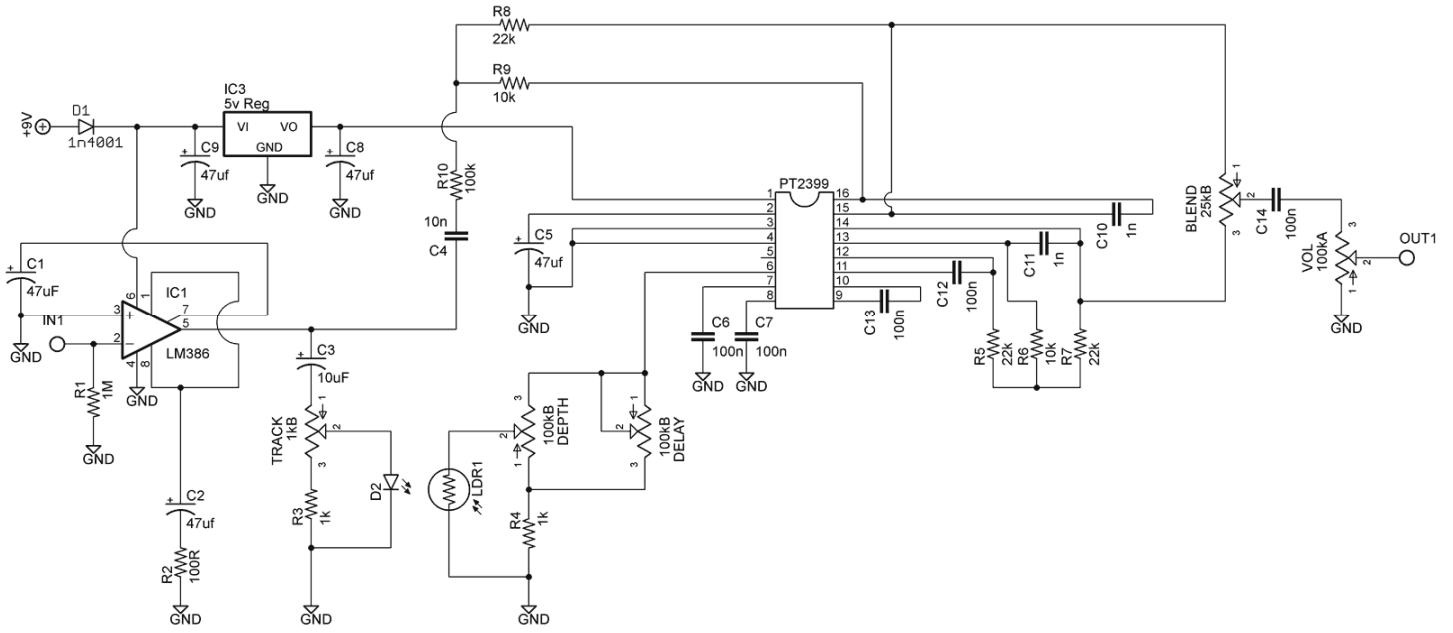
PCB artwork ©2010 madbeanpedals

Release date: 12.18.10

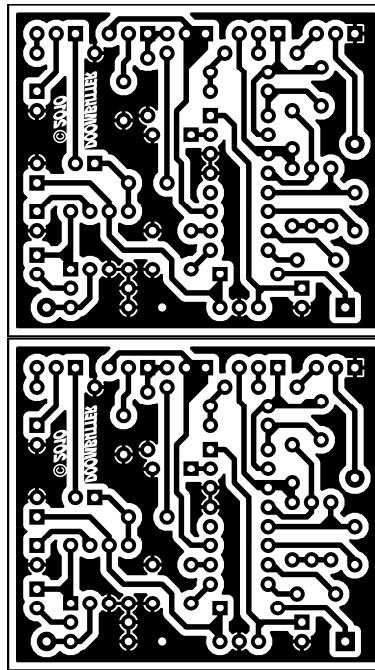
The **DoomButter** is based upon the MidFi Clari(not). It's a weird glitch fuzz-delay...thing. Have fun!



Resistors		Caps		Diodes	
R1	1M	C1	47uF	D1	1n4001
R2	100R	C2	47uf	D2	5MM LED
R3	1k	C3	10uF	IC	
R4	1k	C4	10n	IC1	LM386
R5	22k	C5	47uf	IC2	PT2399
R6	10k	C6	100n	IC3	LM78L05
R7	22k	C7	100n	Pots	
R8	22k	C8	47uf	BLEND	25kB
R9	10k	C9	47uf	DELAY	100kB
R10	100k	C10	1n	DEPTH	100kB
		C11	1n	TRACK	1kB
		C12	100n	VOL	100kA
		C13	100n		
		C14	100n		



1.962" W x 1.74" H (including borders)



This product is intended for DIY use only. Commercial use, including the sale of PCBs, kits or pedals utilizing this information, is strictly prohibited.